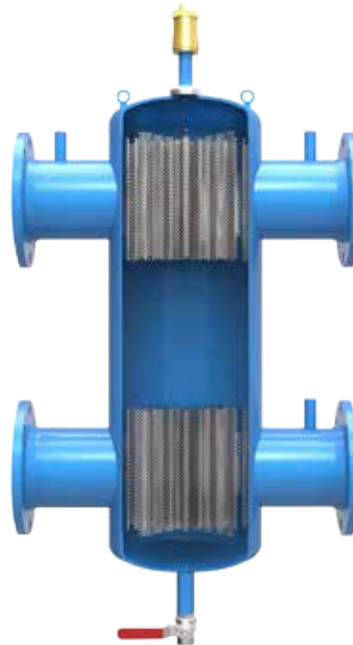


Outer Appearance

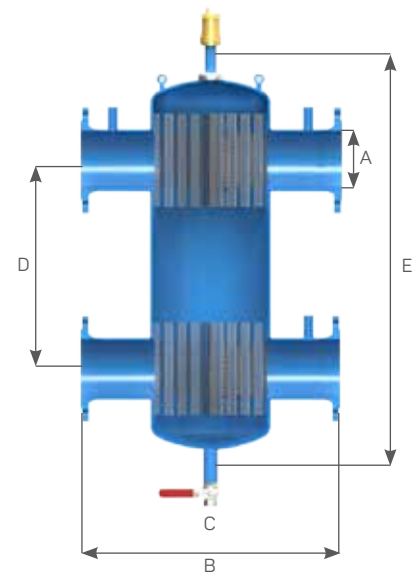


Side Section View

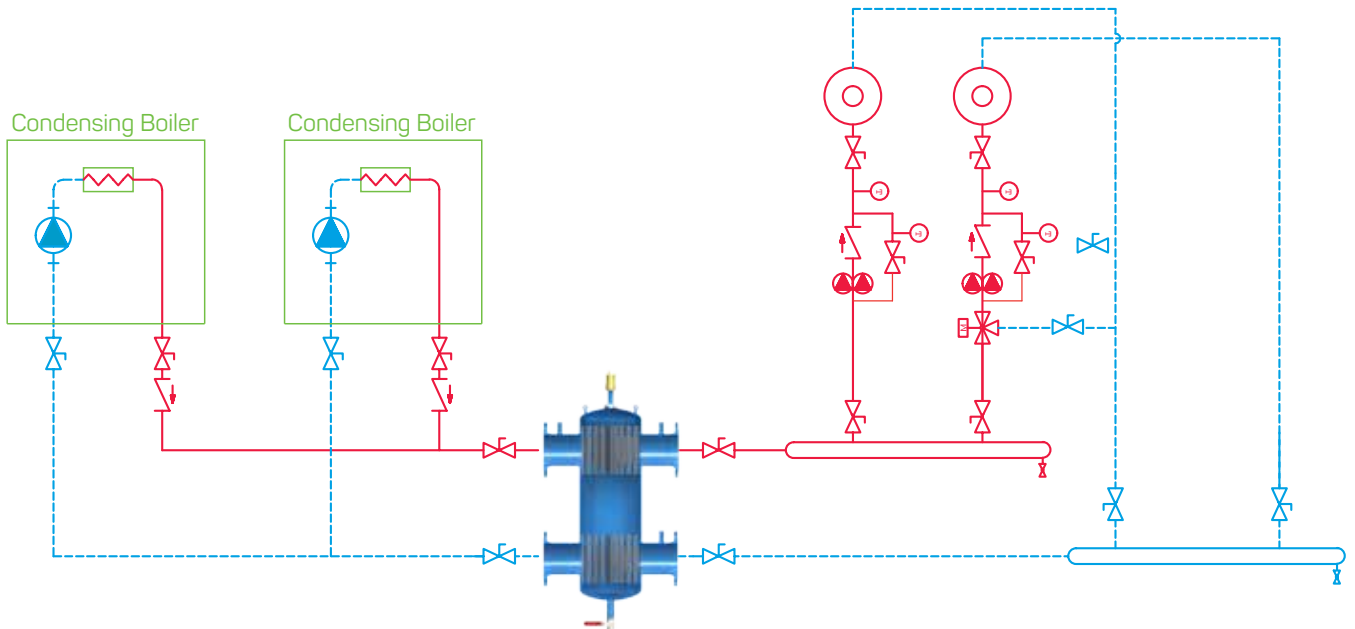
<b>Capacity</b>	: 9.0 – 420.0 m <sup>3</sup> /sa
<b>Maximum Operating Temperature</b>	: 110 °C
<b>Connection Flange / Pressure Class</b>	: DN 50 – DN 300 / PN16 (EN1092-1) (Please contact us for products larger than specified in this catalogue)
<b>Filter Material</b>	: Stainless Steel - Perforated Turbulator
<b>Exterior Surface Protection Paint</b>	: DN 50 – DN 200 Electrostatic Powder Paint : DN 250 – DN 300 Water based Paint

**SPECIFICATIONS / USAGE AREAS**

- Automatic air releasing and impurity separation can be performed additionally to hydraulic separation functions
- KPD multifunction hydraulic separators perform triple functions. Air, dirt and hydraulic separation together in one unit which is highly cost and space effective.
- Usage of a multifunction hydraulic separator solves hydraulic imbalance problems.
- KPD units prevent overloading of boilers or pumps.
- Automation systems will control the heating circuit more effective
- Percentage of glycol in the heating system is maximum 50%



## Installation Diagram



Installation diagram given above is just a template. Installation must be done according to update standards and directives.

## KPD-F Flanged Multifunction Hydraulic Separator

TYPE	A (DN)	Body Diameter (Ø)	B (mm)	C (inch)	D (mm)	E (mm)	Weight (kg)	Flow (m <sup>3</sup> /h)
KPD-F 50	DN 50	168	460	1"	330	1069	34,5	9,00
KPD-F 65	DN 65	168	460	1"	330	1069	39	18,00
KPD-F 80	DN 80	219	526	1 1/4"	450	1280	51	28,00
KPD-F 100	DN 100	219	529	1 1/4"	450	1280	55	56,00
KPD-F 125	DN 125	323	670	1 1/2"	560	1433	104	75,00
KPD-F 150	DN 150	323	670	1 1/2"	560	1433	108	110,00
KPD-F 200	DN 200	400	755	2"	1400	2500	220	180,00
KPD-F 250	DN 250	550	920	2"	1750	3100	365	300,00
KPD-F 300	DN 300	600	990	2"	2100	3640	470	420,00

## KPD-K Welded Multifunction Hydraulic Separator

TYPE"	A (inch)	Body Diameter (Ø)	B (mm)	C (inch)	D (mm)	E (mm)	Weight (kg)	Flow (m <sup>3</sup> /h)
KPD-K 50	2"	168	370	1"	330	1069	30	9,00
KPD-K 65	2 1/2"	168	370	1"	330	1069	33	18,00
KPD-K 80	3"	219	426	1 1/4"	450	1280	42	28,00
KPD-K 100	4"	219	426	1 1/4"	450	1280	46	56,00
KPD-K 125	5"	323	560	1 1/2"	560	1433	92	75,00
KPD-K 150	6"	323	560	1 1/2"	560	1433	94	110,00
KPD-K 200	8"	400	650	2"	1400	2500	197	180,00
KPD-K 250	10"	550	780	2"	1750	3100	330	300,00
KPD-K 300	12"	600	835	2"	2100	3640	425	420,00